



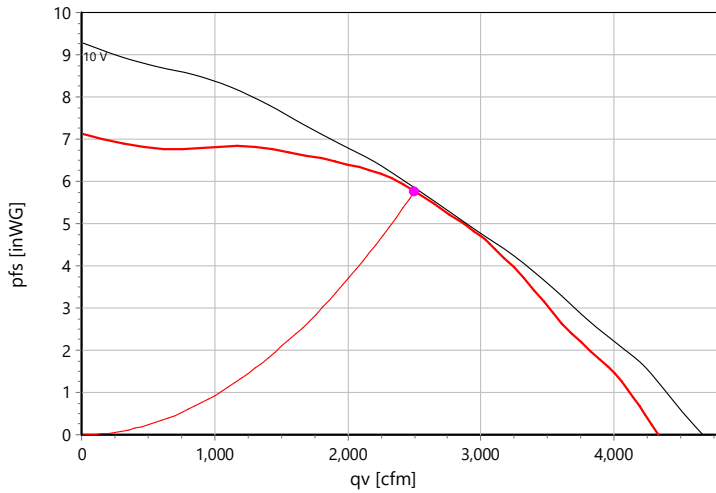
Plug Fan

Type: **GKHM 355-CIB.112.6FF IE Gen3**

Art.-No.: N88-35831



Curve:



p: 1.15 kg/m³; Data @ 230 V

Operating Point:

q _v	2500	cfm
p _{fs}	5.77	inWG
p _{fd}	0.2	inWG
η _{ed,fs}	58	%
η _{ed,tot}	59	%
P _{ed}	2.96	kW
I	7.79	A
n	2982	r/min
L _W A _{A,OUT}	94	dB(A)
U _c	8.34	V
v	27.3	ft/s
SFP	2509	Ws/m ³
FEI	1.32	
t _{R,OP}	41	°C

ErP-Data:

(EU) Nr. 327/2011	(Lot11)	
q _v	2993	cfm
p _{fs}	7.23	inWG
η _{ed,fs}	61.5	%
P _{ed}	4.37	kW
n	3400	r/min
N	58	
v	32.6	ft/s

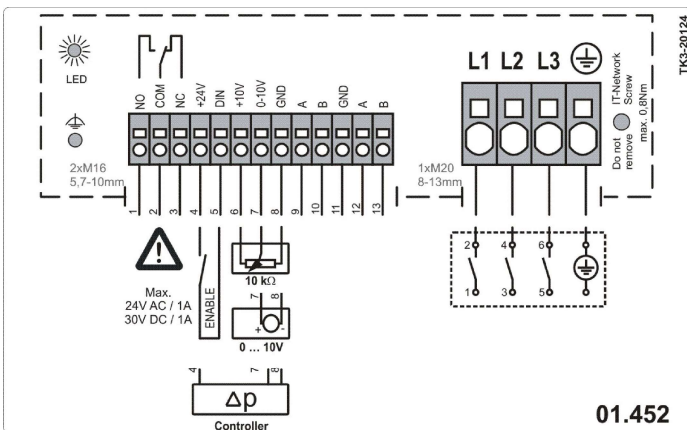
Nominal Data:

U [V]	f [Hz]	Data @ [V]	P _{ed} [kW]	I _N [A]	n _N [r/min]	t _R [°C]	k ₁₀ [m ² /h]	I _A / I _N	IP	m [kg]
3~200-240	50/60	230	3	7.9	3000	40	102	-	IP 54	27

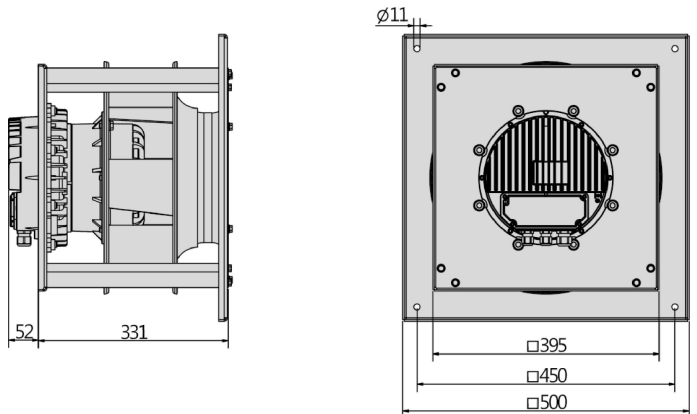
Sound Data:

Frequency	Σ	63Hz	125Hz	250Hz	500Hz	1kHz	2kHz	4kHz	8kHz	Distances	1 m	4 m
L _w A(A,in) [dB(A)]	87	48	58	78	80	82	81	76	71	L _p A(A,in) [dB(A)]	80	69
L _w A(A,out) [dB(A)]	94	55	65	85	86	90	88	81	76	L _p A(A,out) [dB(A)]	87	76

Wiring Diagram:



Drawing:



Data @ 208V: 2,44 kW; 7,15 A; 2780 1/min